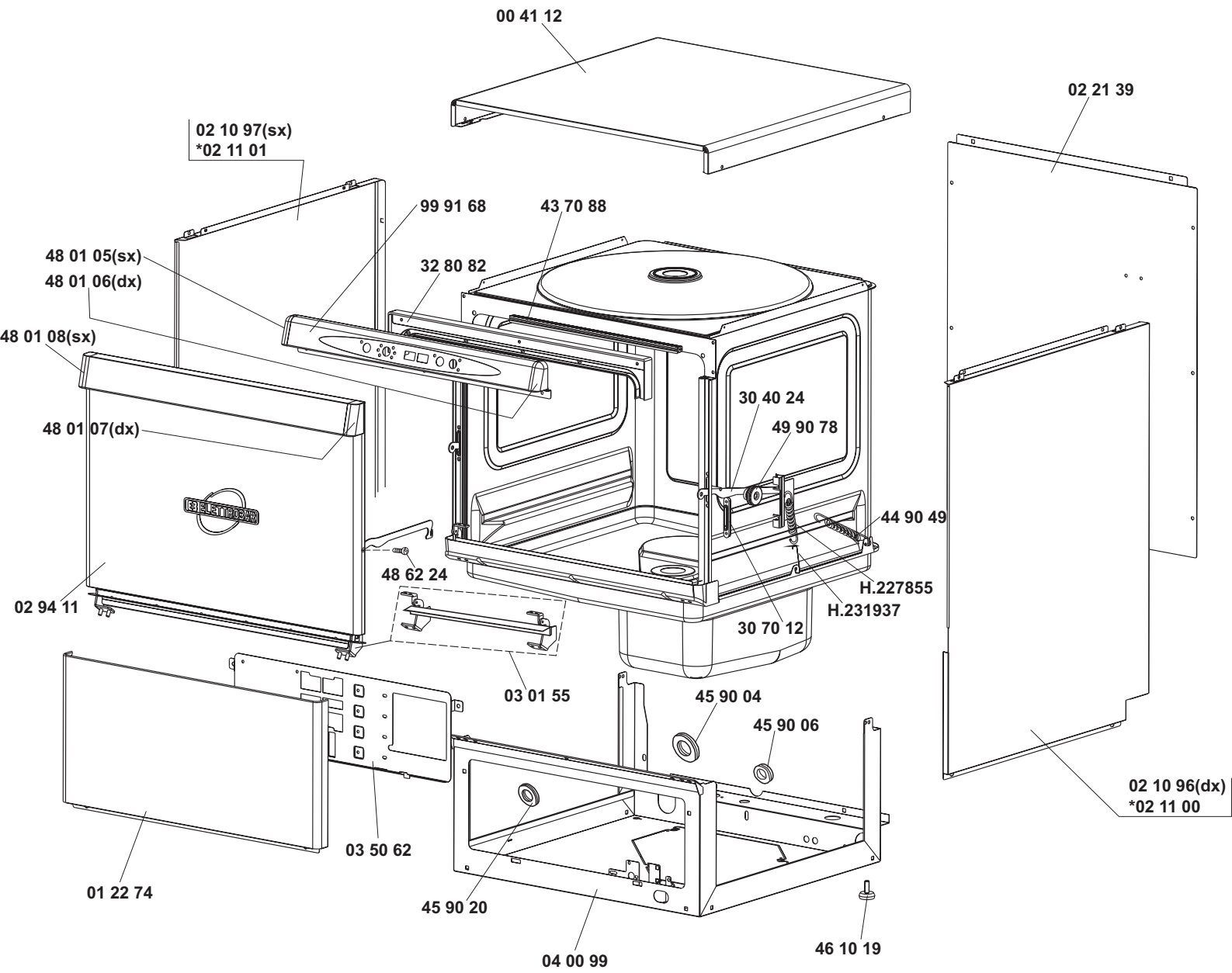


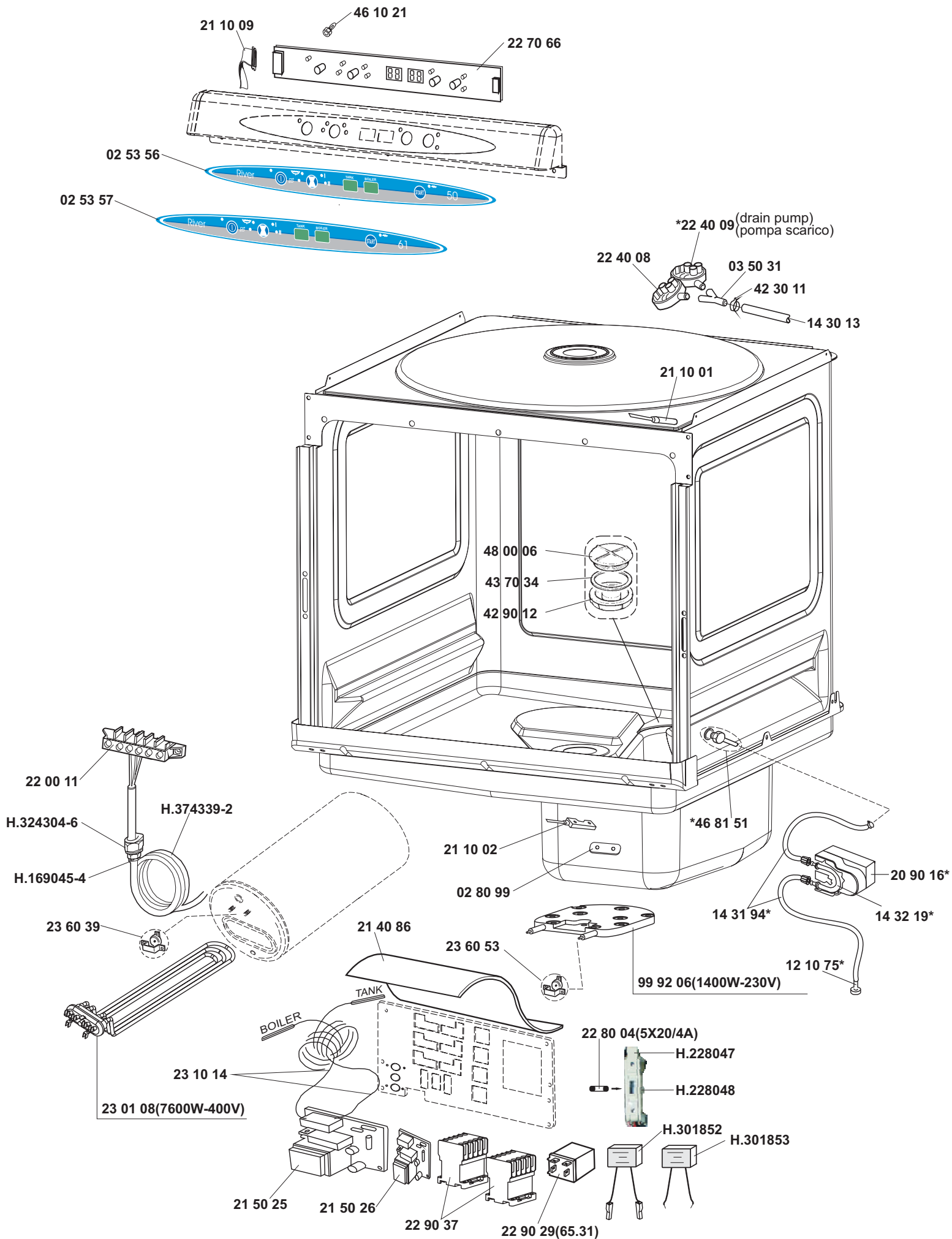
# ELETTROBAR

**SPARE PARTS CATALOGUE  
ERSATZTEILKATALOG  
CATALOGUE PIECES DETACHEES  
CATALOGO PARTI RICAMBIO  
CATALOGO DE PIEZAS DE RECAMBIO  
CATALOGO PEÇAS DE REPOSIÇÃO**

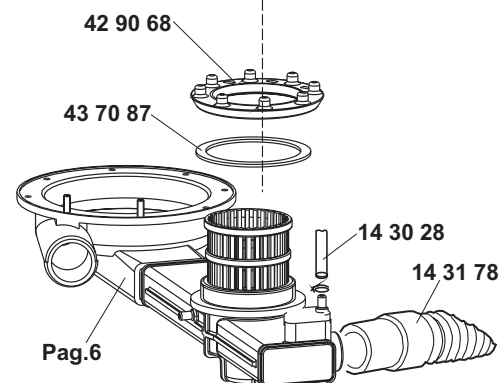
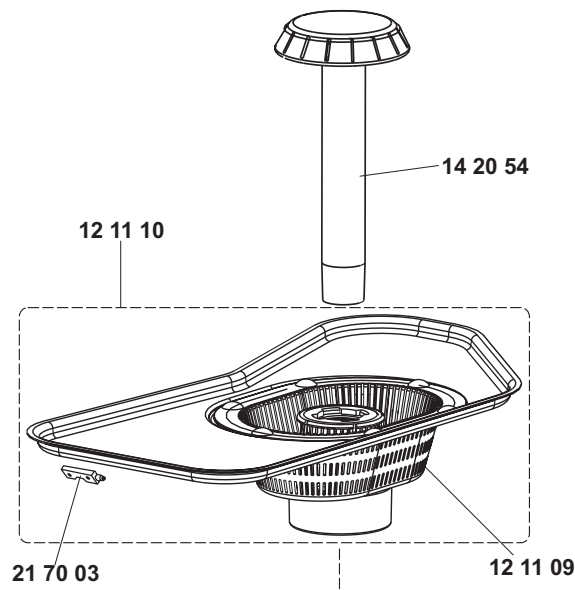
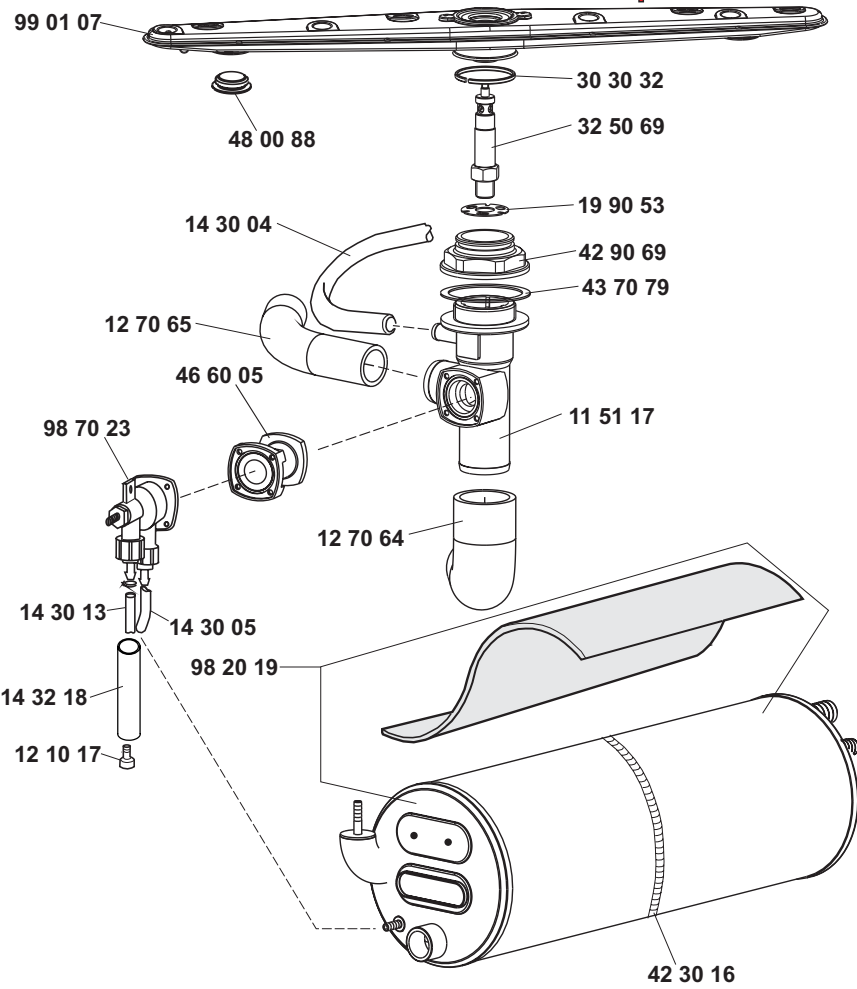
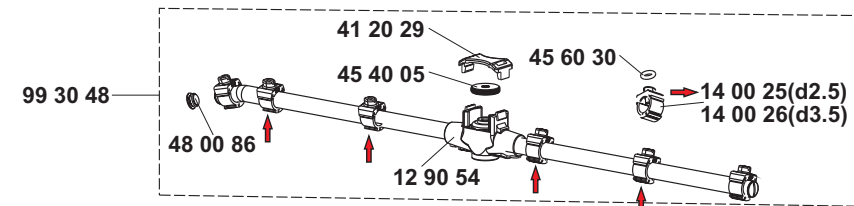
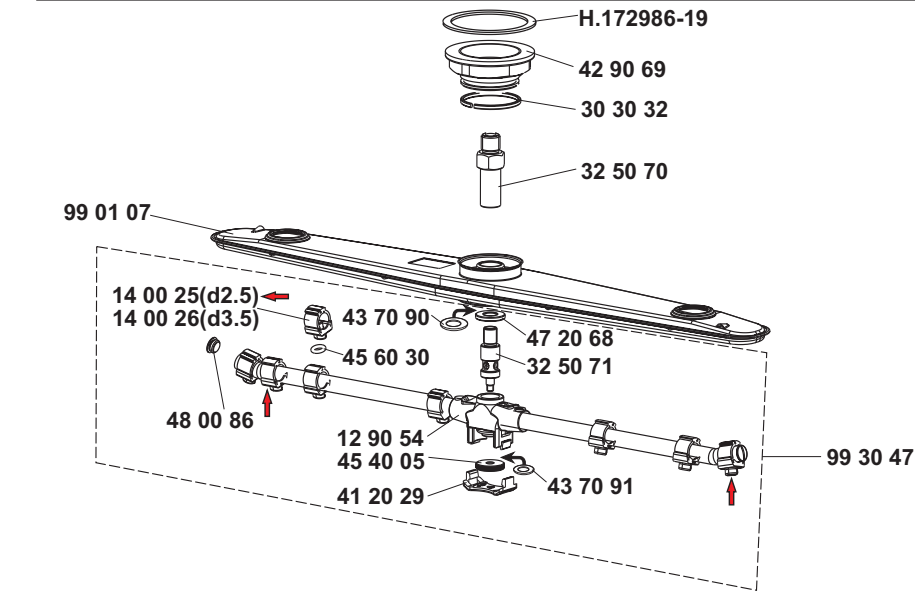
River 50-61  
CRP

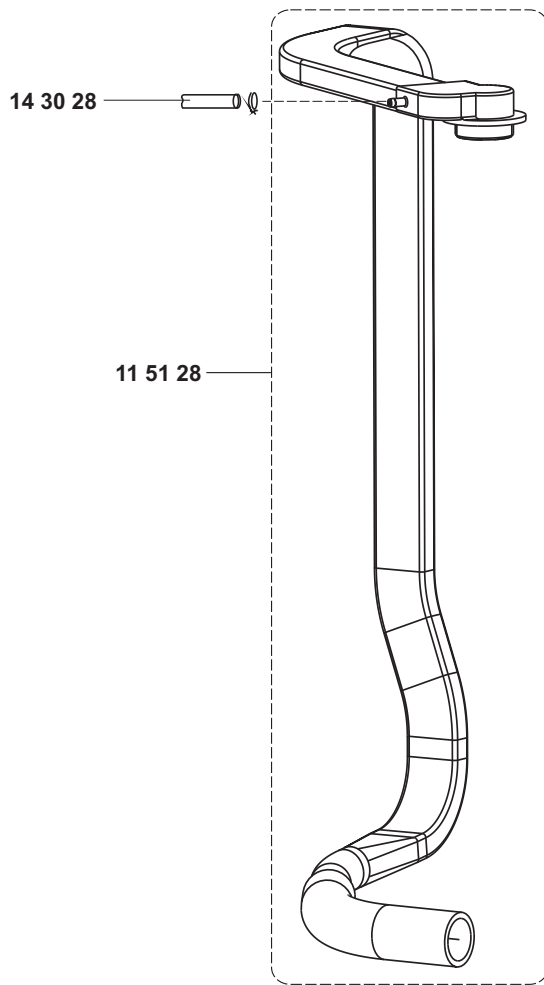
**2003**





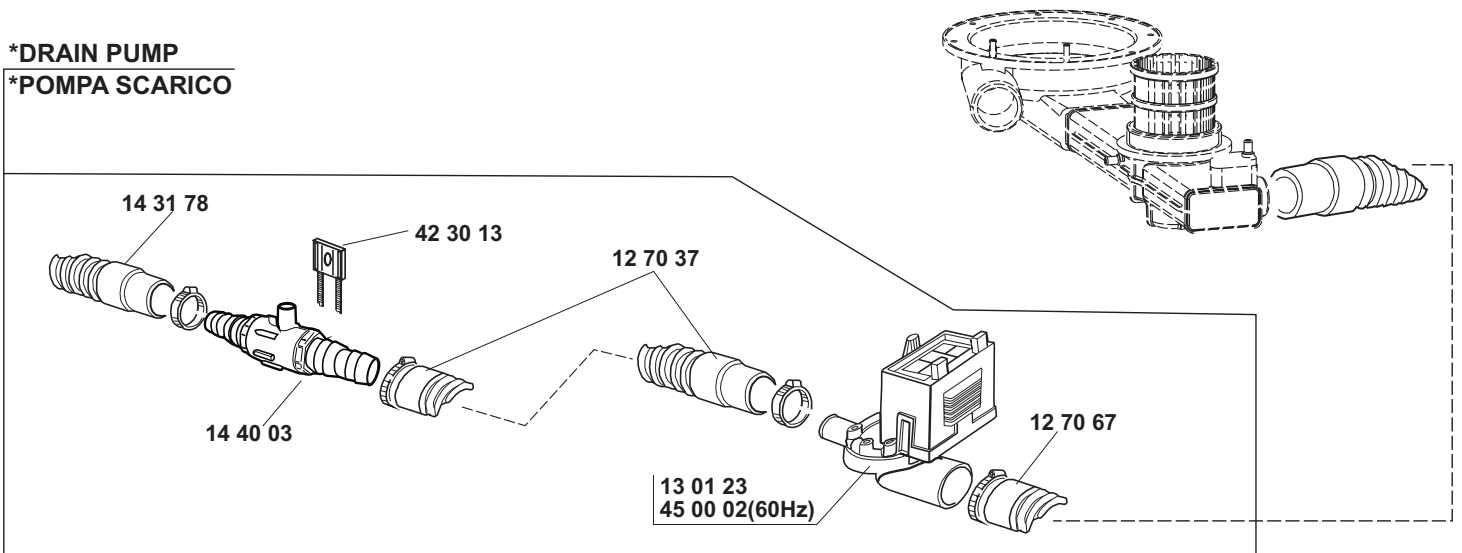
\*OPTIONAL



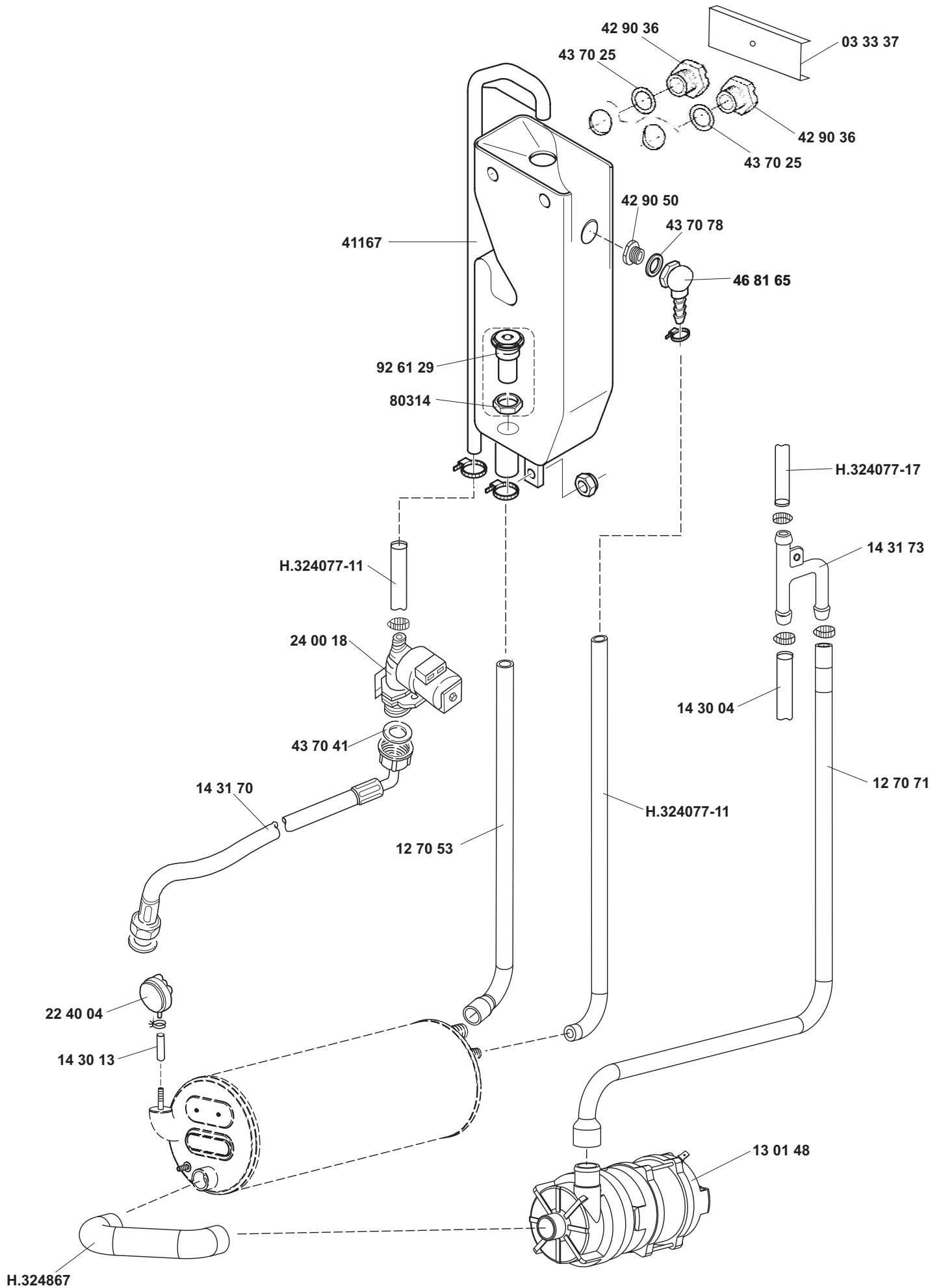


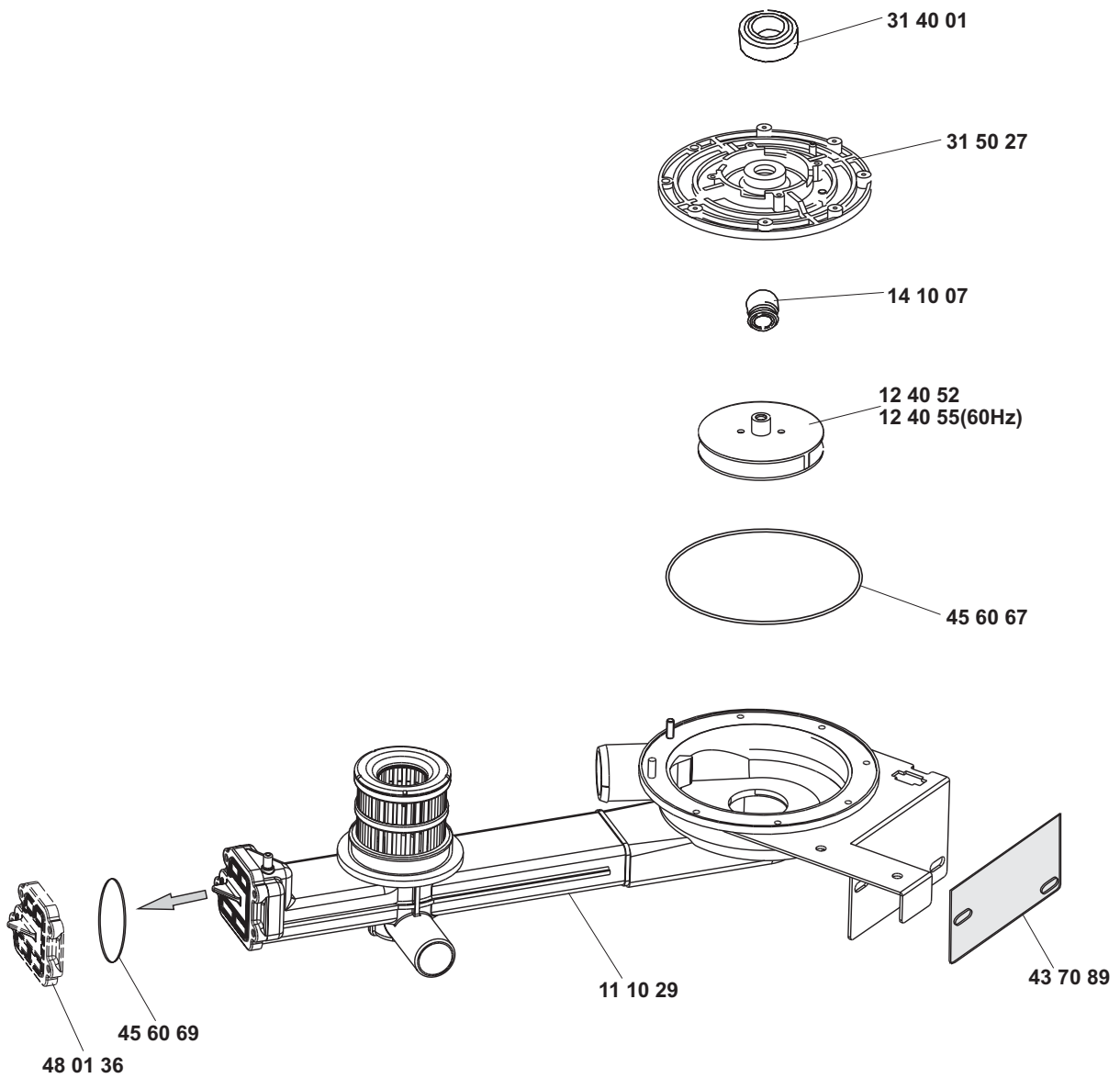
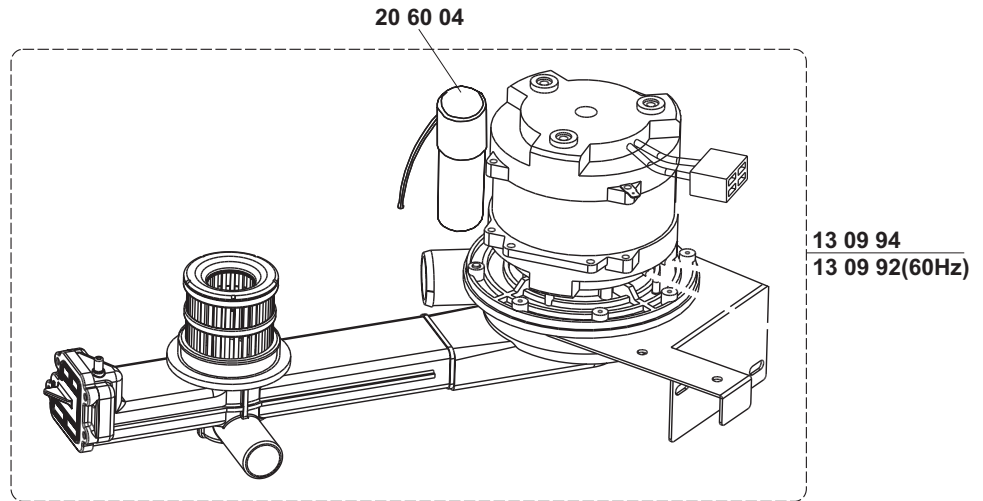
**\*DRAIN PUMP**

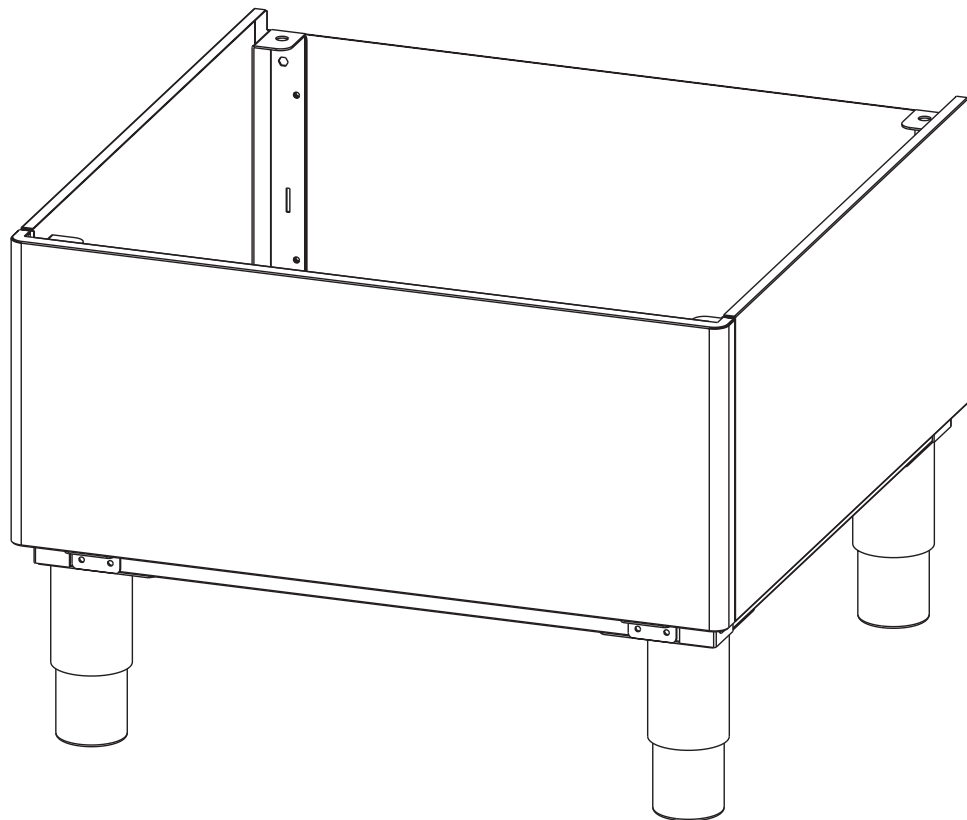
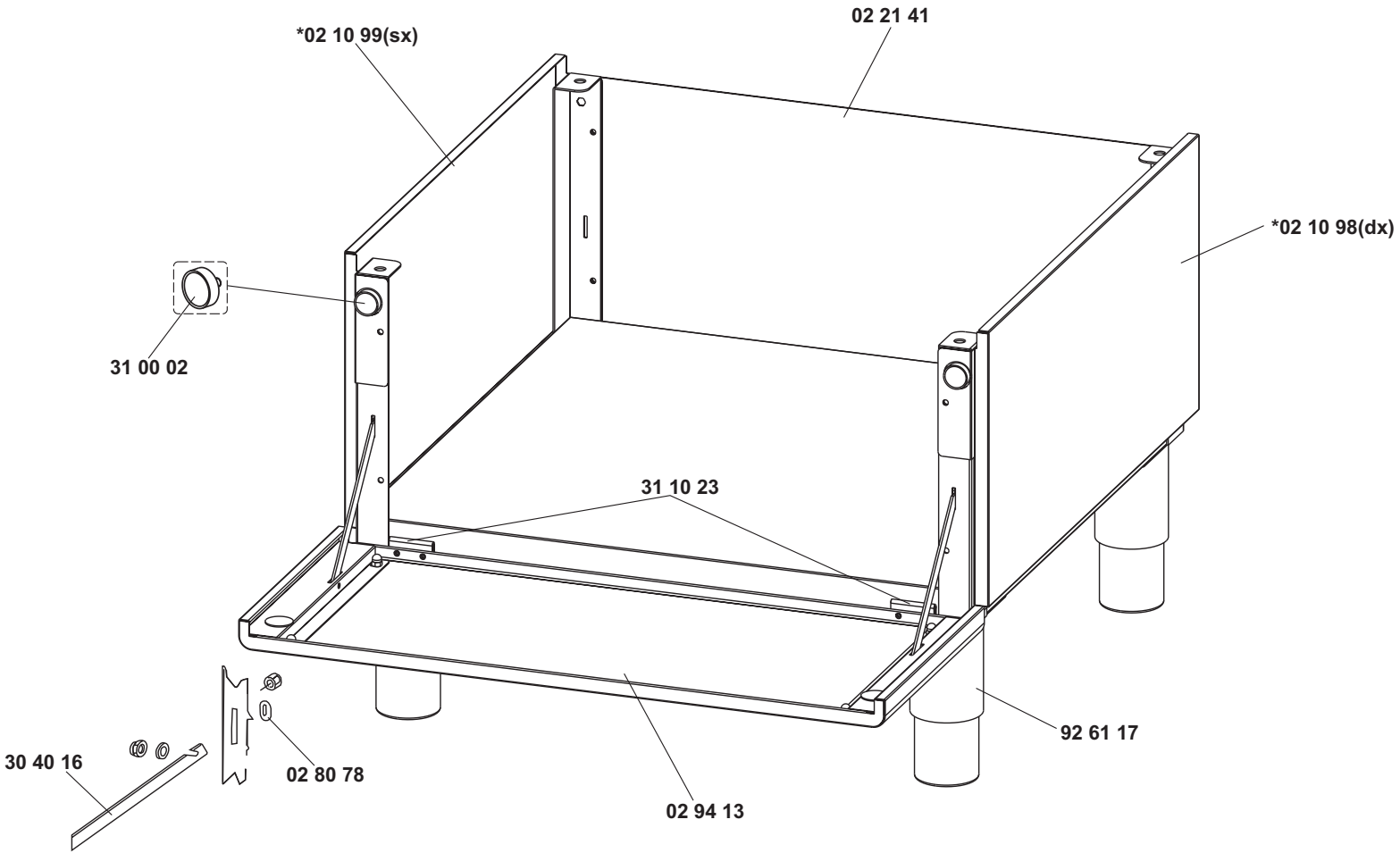
**\*POMPA SCARICO**



**\*OPTIONAL**







**\*OPTIONAL**